

# Service installation of hardtop

## Exploded view of service installation kit

### Service installation kit 8G0 898 107

For vehicles 08.97 with electrohydraulic convertible top actuator mechanism up to vehicle identification number 8G\_WN 002 530

For vehicles 08.97 with manual convertible top actuator mechanism up to vehicle identification number 8G\_WN 003 500

Part numbers

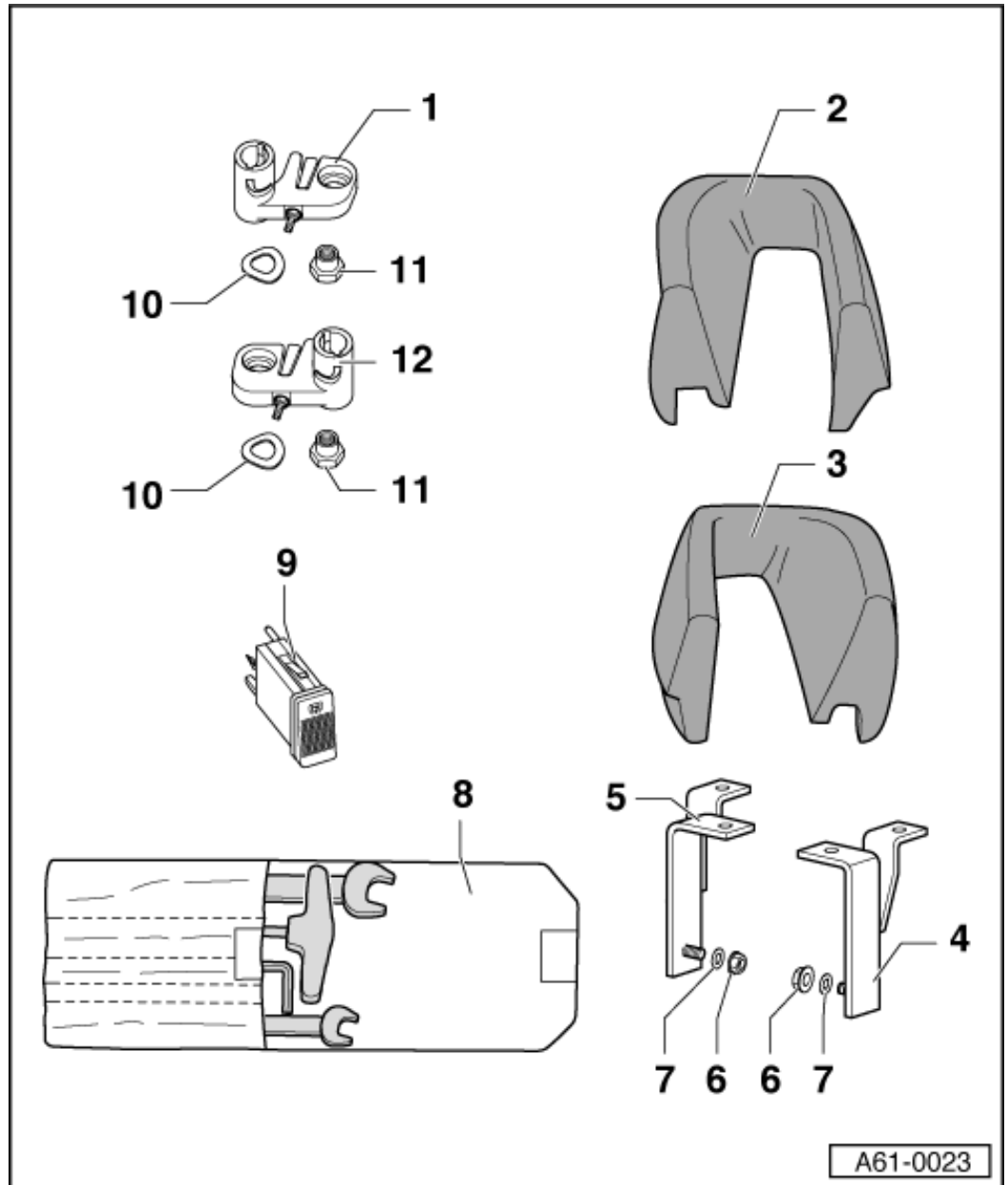
=> Parts List

#### 1. Lower part of left mounting bracket

With milled recess on underside

#### 2. Left trim

#### 3. Right trim



^

**4. Left reinforcement**

â—†Â For mounting bracket

**5. Right reinforcement**

â—†Â For mounting bracket

**6. Collared nut**

**7. Washer**

**8. Assembly tool**

**9. Pushbutton switch for heated rear window**

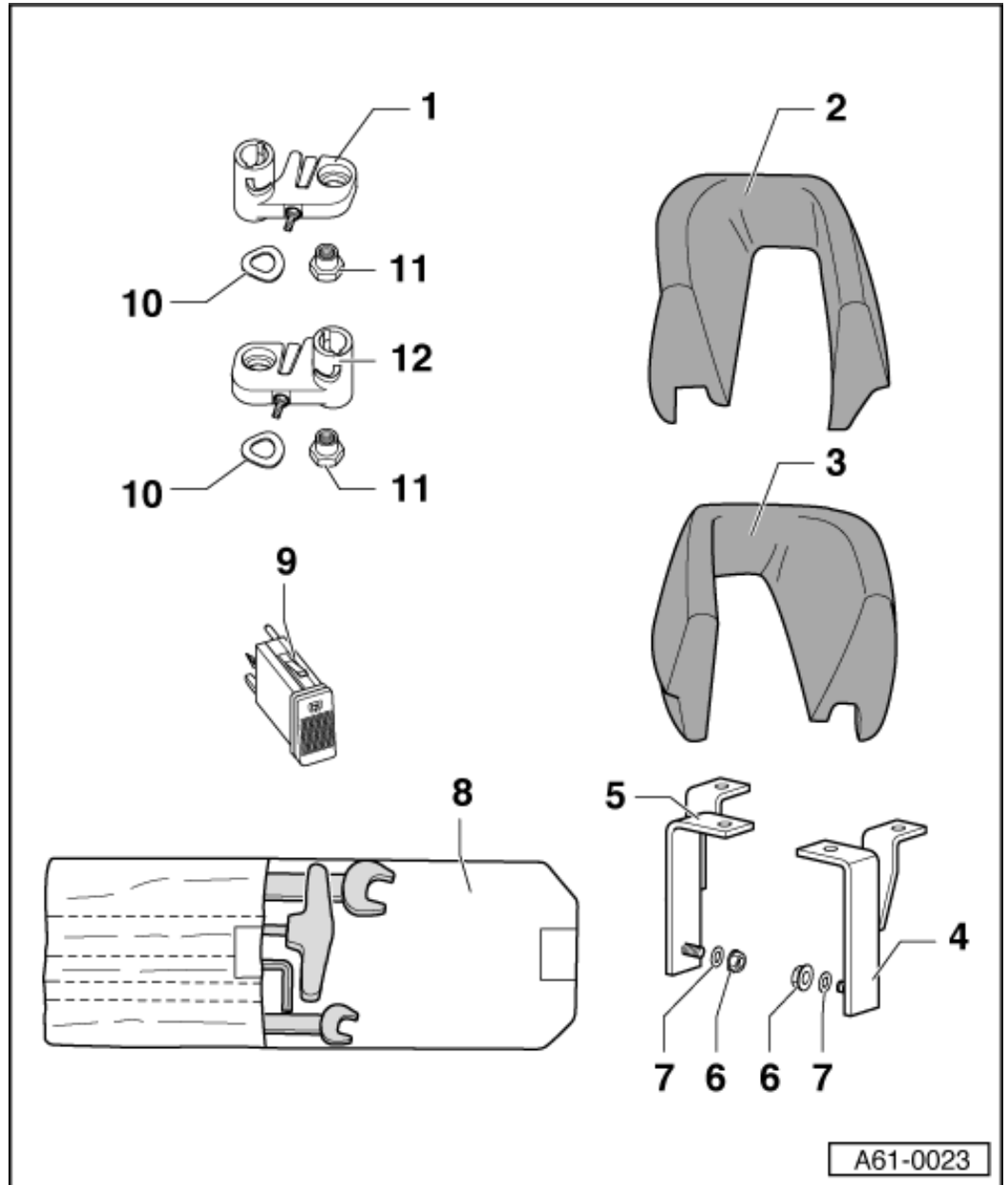
â—†Â With time function

**10. Spring lock washer**

**11. Special collared nut**

**12. Lower part of right mounting bracket**

â—†Â With milled recess on underside



Â

## Parts required in addition to service installation kit 8G0 898 107

### 1. Stud

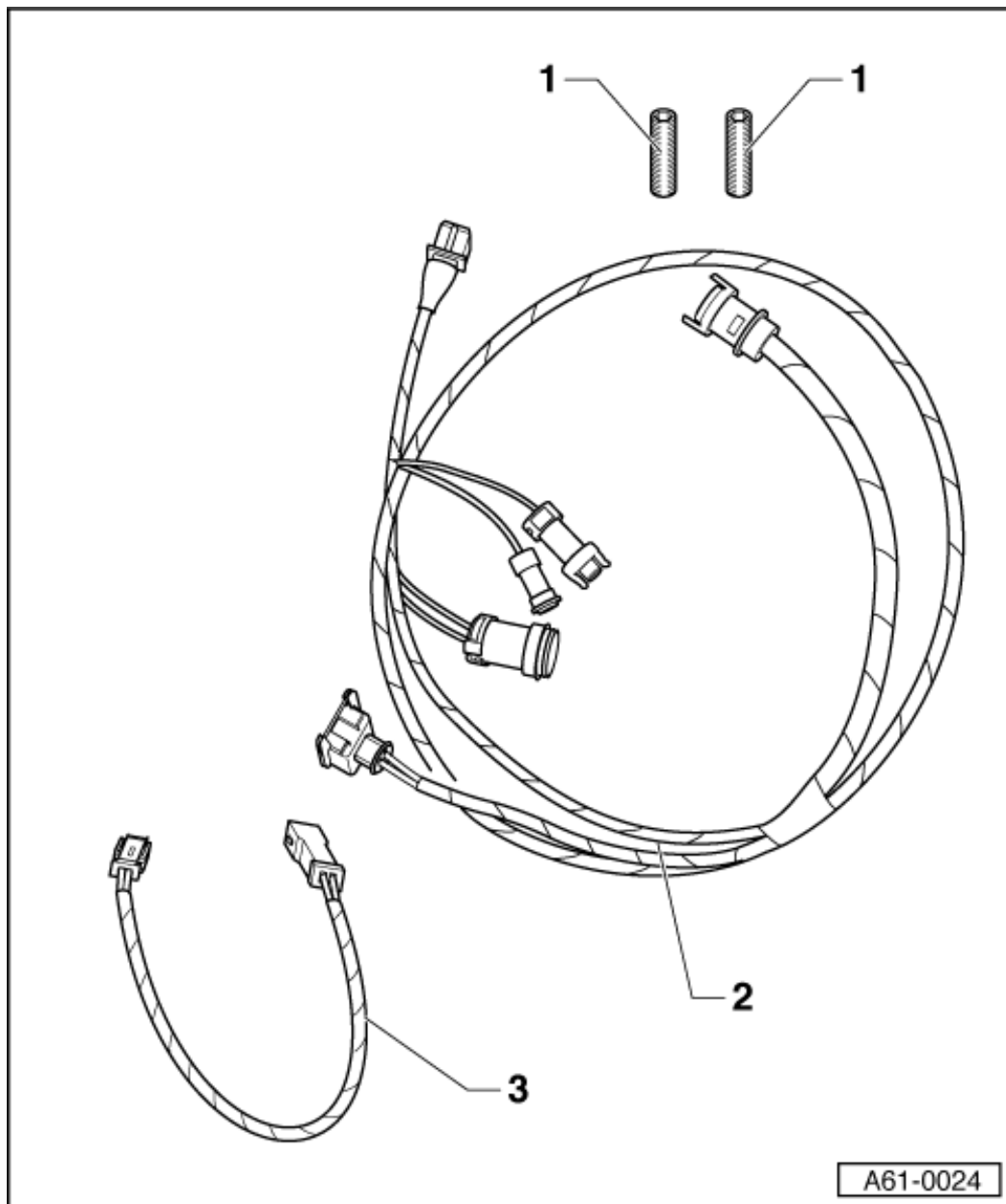
â†— Part no.  
8G0 868  
593  
â†— For  
vehicles ÃfÂ  
x 04.92  
up to  
vehicle  
identification  
no.  
8G\_NA 010  
800

### 2. Summer/winter wiring harness

â†— Part no.  
8G0 971  
211  
â†— For  
vehicles ÃfÂ  
x 07.96  
up to  
vehicle  
identification  
no.  
8G\_TN 011  
300 or  
8G\_VN 001  
050

### 3. Adapter lead

â†— Part no.  
8G0 971  
157  
â†— For  
manual  
convertible  
top actuator  
mechanism  
â†— For  
vehicles ÃfÂ  
x 04.97  
up to  
vehicle  
identification



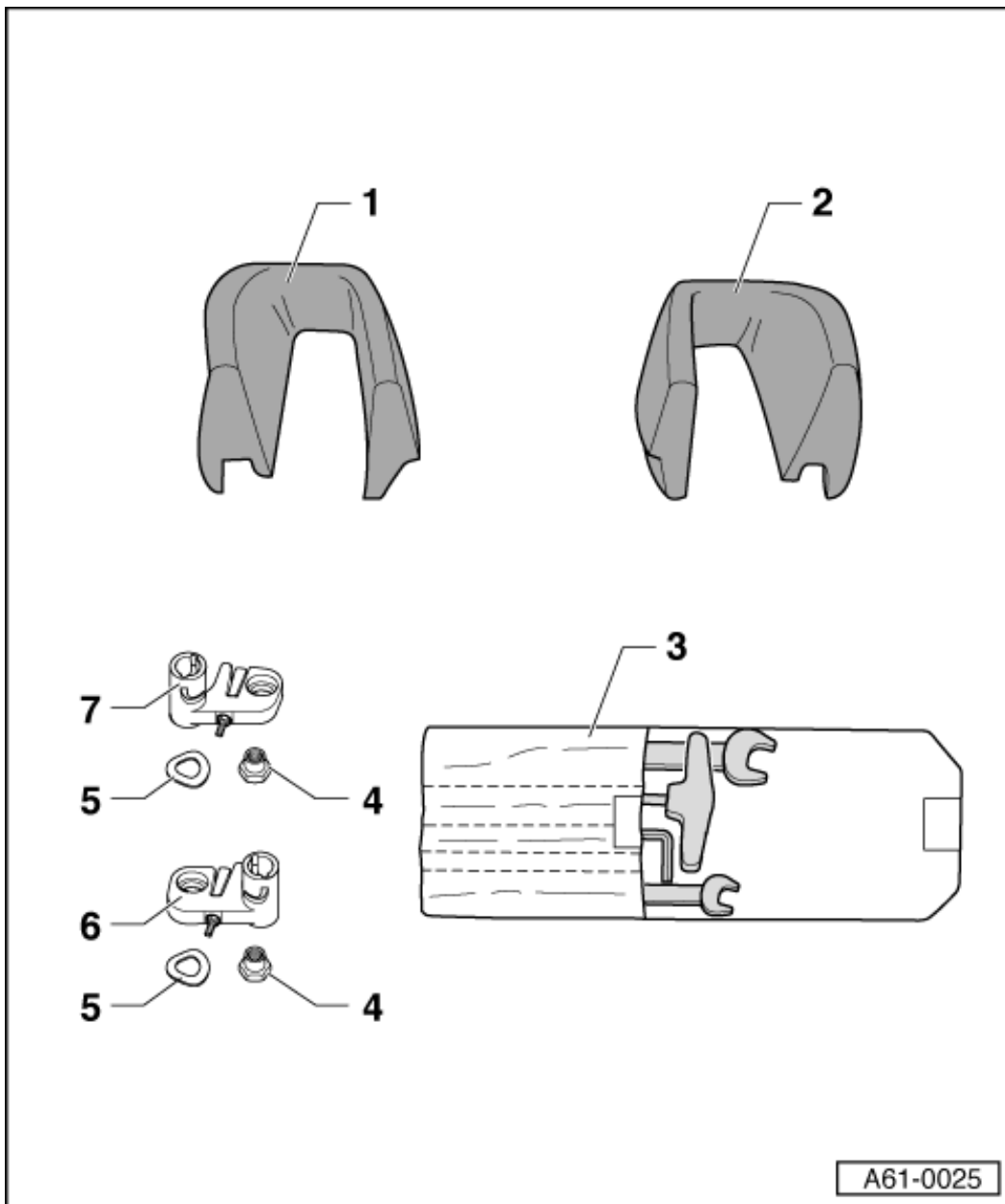
no.  
8G\_VN 006  
400

Â  
**Service installation  
kit 8G0 898 107 A**

â†† For vehicles  
08.97 ÃfÂx  
â†† Part  
numbers

=> Parts List

- 1. Left trim**
- 2. Right trim**
- 3. Assembly tool**
- 4. Special collared nut**
- 5. Spring lock washer**
- 6. Lower part of left mounting bracket**  
â†† No milled recess on underside
- 7. Lower part of right mounting bracket**  
â†† No milled recess on underside



A61-0025